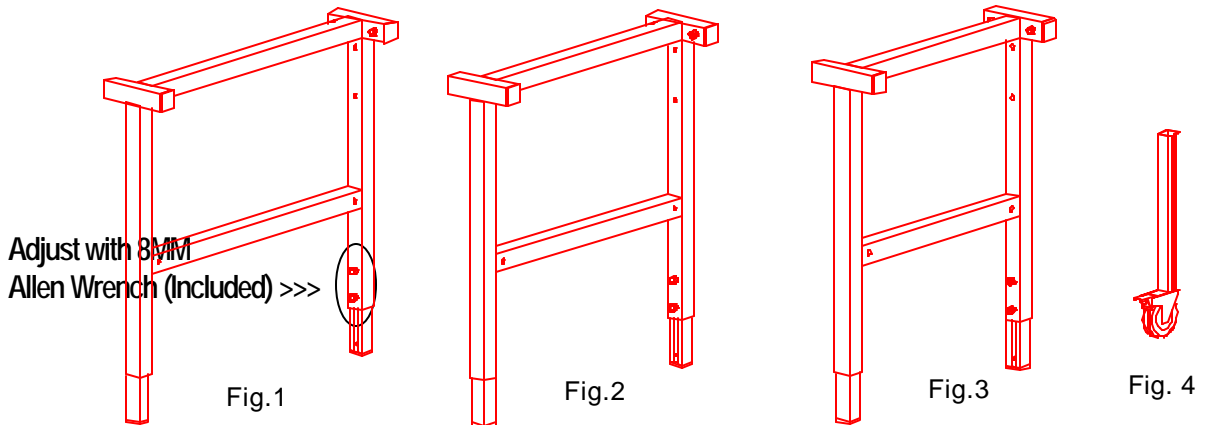


# igar "H" Support Legs



## "H" Leg Supports

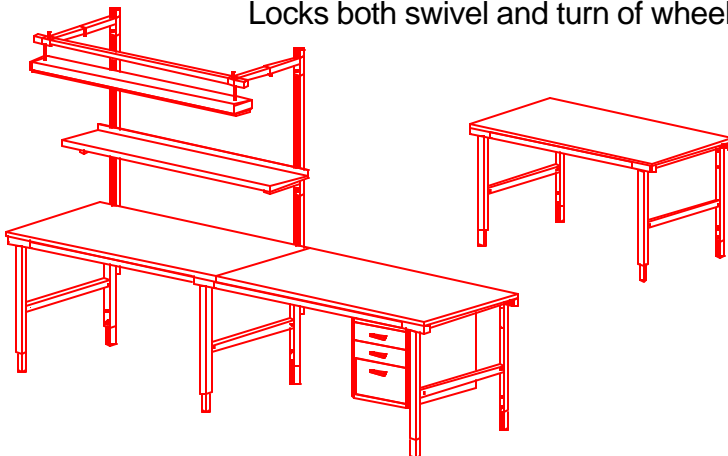
*with manual/mechanical height adjustment*

*Available in depths of 31.5, 27.5, and 23.5 inches. Each leg adjusts independantly with easy to adjust Allen wrench set screws. Max load capacity 900 lbs. Also available with hand crank and motorized height adjustment. 14 gauge tubular steel, welded construction, powder coated.*

Item#	Description	Depth	Fig.
9103L	Manual/mechanical height adjustment from 26.75" to 37.5"	31.5"	1
9102L	As above.	27.5"	2
9101L	As above	23.5"	3

### CASTORS & LEG EXTENSIONS:

9199L Leg extension with lockable castors. Locks both swivel and turn of wheel.



Mount "in line" or as an "L-shaped" configuration or as a stand alone bench with or without accessories for ultimate flexibility now and in the future.

