

igar L-support legs

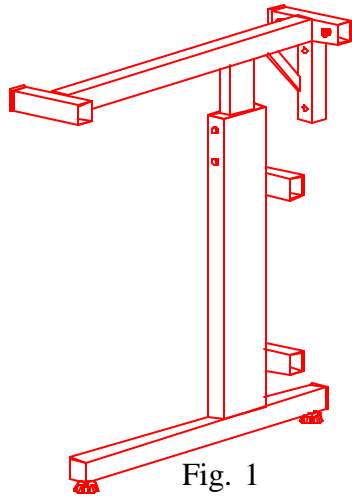


Fig. 1

Quick Facts:

- 11.25 adjustment range
- Adjusts from 27.5" to 38.75" in. (incl. 1.25" thick top)
- Easy to adjust!
- 12&14 gauge tubular steel
- Welded construction
- Scratch resistant powder coating
- Adjustable feet

LEG SUPPORTS

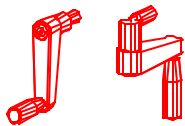
Manual/Mechanical Height Adjustment

L-SUPPORT LEGS

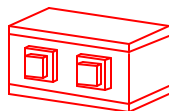
Cantilever - height adjustable

Item#	Description	Dimensions (Depth)	Fig.
9107L	Mechanical height adjustment from 27.5" to 38.75" *.	31.5 in	1

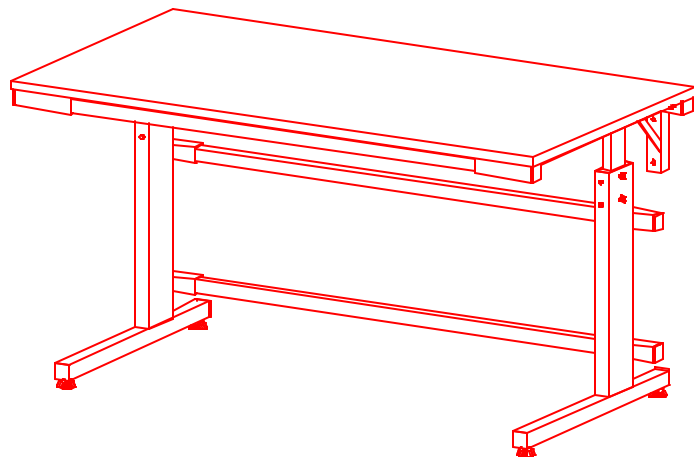
* Measurement incl. a 1.25" thick bench top



OPTIONAL HAND CRANK
HEIGHT ADJUSTMENT
(FOLDABLE)



OPTIONAL MOTORIZED
HEIGHT ADJUSTMENT



27.5 - 38.75 INCH HEIGHT ADJUSTMENT